

Tanaka Illustrated Parts Manual

Model Number:

TED-262R

Portable Gas Drill w/Reverse

P/N 00393

Rev 003

Date 3-27-06



Supplier To The Outdoor Power Equipment Industry

ISM, Inc. • 1028 4th Street SW • Auburn, WA 98001 • Phone: (253) 333-1200 • Fax: (253) 333-1212

TED-262R
Portable Drill



Features / Benefits

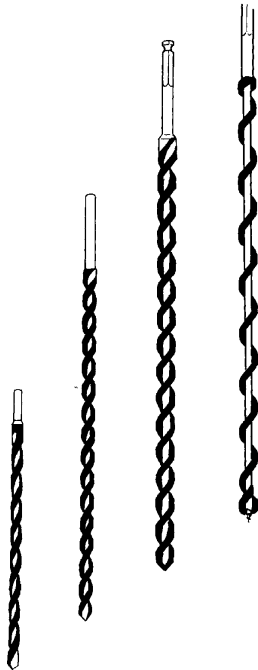
- **26cc, 1.3 hp engine** features two piston rings and a stress relieved, chrome plated cylinder for long engine life.
- **Powered reversing feature** allows you to instantly reverse drilling direction with a push of a lever.
- **Portable and lightweight** drill anywhere and in any position without the hassles of electrical cords or generators.
- **1/2 inch chuck capacity** accepts a wide variety of wood, steel, or concrete bits.
- **Dual position front handle** allows the handle to be mounted on either side of the unit for added versatility.
- **1 / 2 / 5 Warranty Coverage** provides **One-Year** coverage for professionals, **Two-Year** Coverage for Homeowners, and **Five Years** on the Electronic Ignition Module.

Specifications	
Engine Displacement cc (cu. in.)	26 (1.6)
Power (h.p.)	1.3 @ 8500 RPM
Carburetion	Walbro Diaphragm
Ignition System	Transistorized Electronic
Fuel Tank Capacity / fl. oz. (cc)	17.0 (500)
Front Handle	2 Position / Adjustable
Clutch System	Centrifugal
Reduction Ratio	20:1
Chuck Speed	0 - 450 RPM
Chuck Capacity	1/2"
Drill Bit Capacity	1" Wood, 1/2" Steel, 1/2" Concrete
Dry Weight / lbs. (kg)	11.0 (5.8)

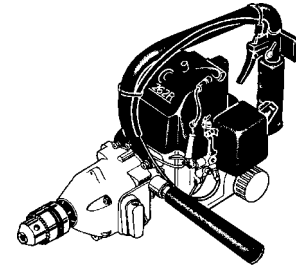
Optional Accessories:	
ORDER #	DESCRIPTION
27218	Keyless Chuck
076-32430-201	Auger Bit Adapter (2" only)
Sizes Vary	Pole, Wood, Masonry, Railroad Bits
Sizes Vary	Bulb Planting Bits
Sizes Vary	Perfect Mix™ 2-Cycle Engine Oil

All data and specifications are subject to change without notice
For more information, contact:

CARBIDE TIP DRILL BITS



- **Long Lasting and Dependable**
Can be resharpened or completely rebuilt if necessary.
- **High Quality Carbide Compound**
For superior strength and durability.
- **Rapid Chip Evacuation**
Special fluting provides a large chip storage area and prevents clogging.
- **Carbide Tipped**
Will outlast and outperform normal wood-boring bits.



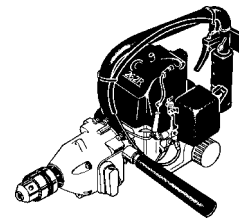
** Ideal for use in
Tanaka Drills*

Drill Bit Description	Diameter	Length	Part #
Pole For treated wood used on poles, fencing, and beams.	9/16"	12"	745102
	11/16"	16"	745103
	13/16"	22"	745104
Wood For treated wood containing nails, staples, or other metal materials.	9/16"	12"	745105
	11/16"	16"	745106
	13/16"	22"	745107
Railroad For general purpose wood boring for landscaping.	9/16"	12"	745108
	3/4"	12"	745109
	5/8"	18"	745110
Masonry For concrete, brick, stucco, and other stone materials.	1/4"	12"	745111
	3/8"	12"	745112
	1/2"	12"	745113

BULB / PLANT AUGER BITS



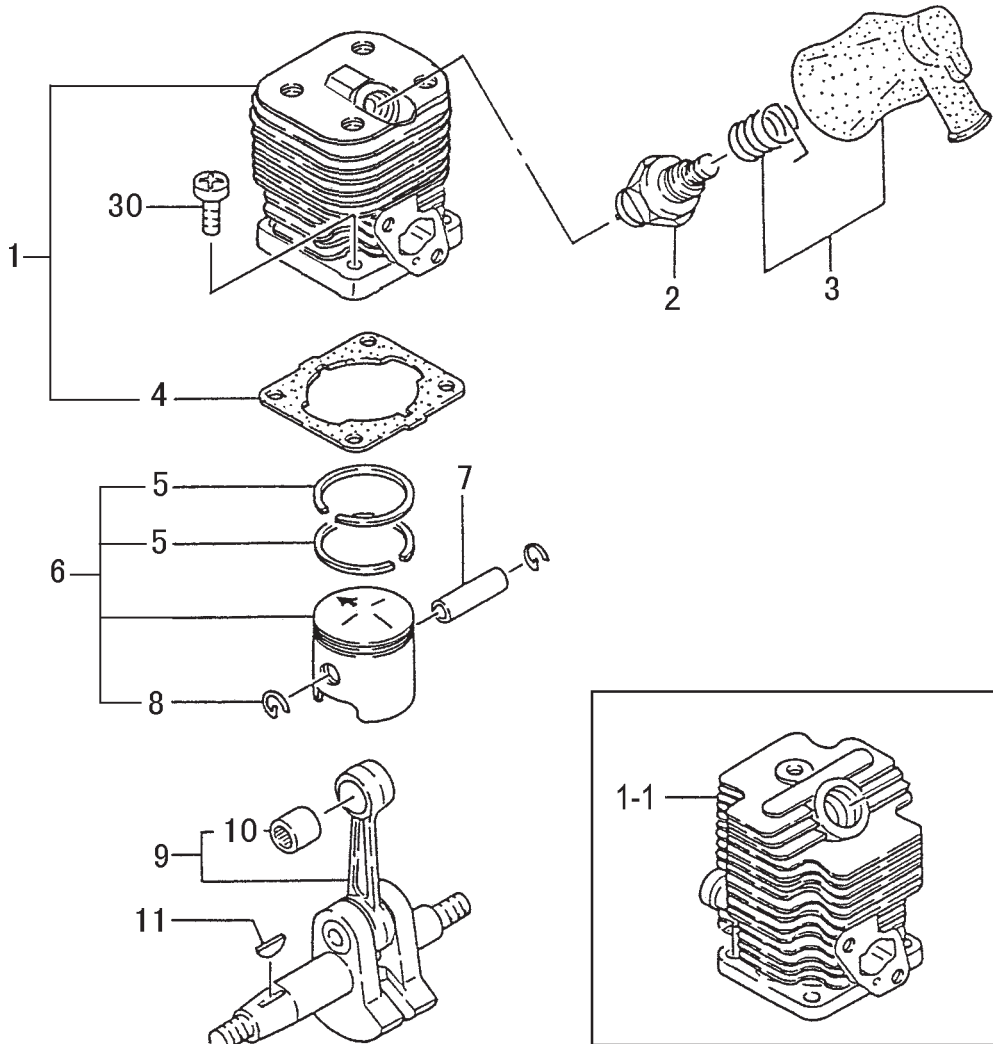
- **Speeds up Planting by 500 Percent**
- **Can be Used for Many Purposes.**
- **Leave Dirt in a Loose, Easy to Pack Condition.**
- **Drill Holes in all Types of Soil.**



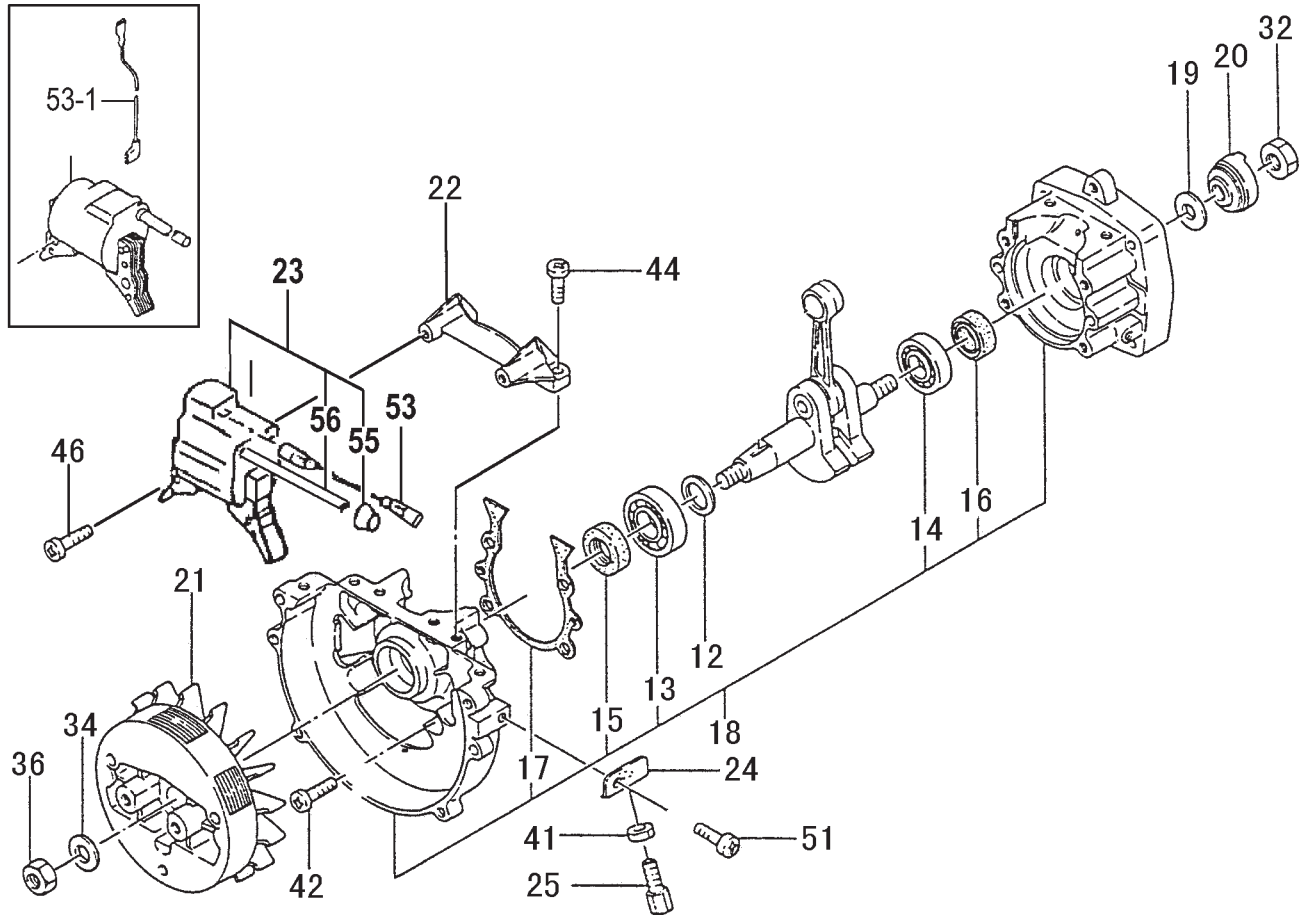
** Ideal for use in
Tanaka Drills*

Item No.	Diameter	Length
745201	3"	7"
745202	3"	12"
745203	3"	24"

All data and specifications are subject to change without notice.

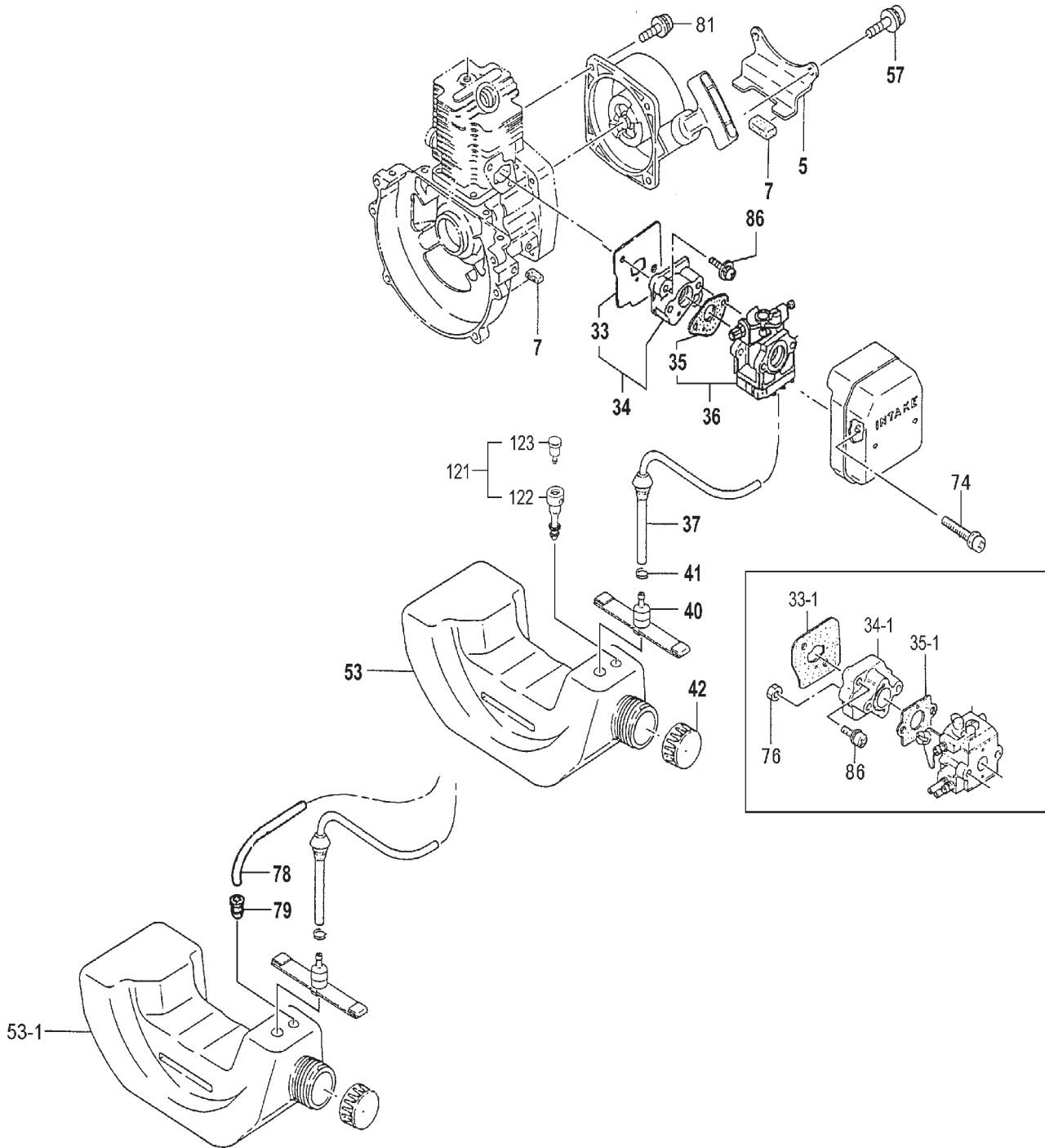


ITEM	PART NUMBER	DESCRIPTION	QTY	COMMENTS
1-1	00201601800	CYLINDER	1	S/N ~S279070
1-1	0010160090	SET,CYLINDER	1	S/N S279071~ Includes cylinder gasket
1-2	01801805200	PLUG,SPARK	1	
1-3	1570097A900	CAP,SPARK PLUG,ASS'Y	1	
1-4	01701620200	GASKET,CYLINDER	1	
1-5	04101601200	RING,PISTON	2	
1-6	0300162090	SET,PISTON	1	Includes rings and circlips
1-7	03701700200	PIN,PISTON	1	
1-8	03900000201	CIRCLIP,PISTON PIN	2	
1-9	0460162S81	CRANKSHAFT	1	
1-10	99962091338	BEARING,NEEDLE,KTV91313	1	
1-11	06810100200	KEY,WOODRUFF,3X13X4.5	1	
1-30	99414050161	SCREW,5X16/S	4	

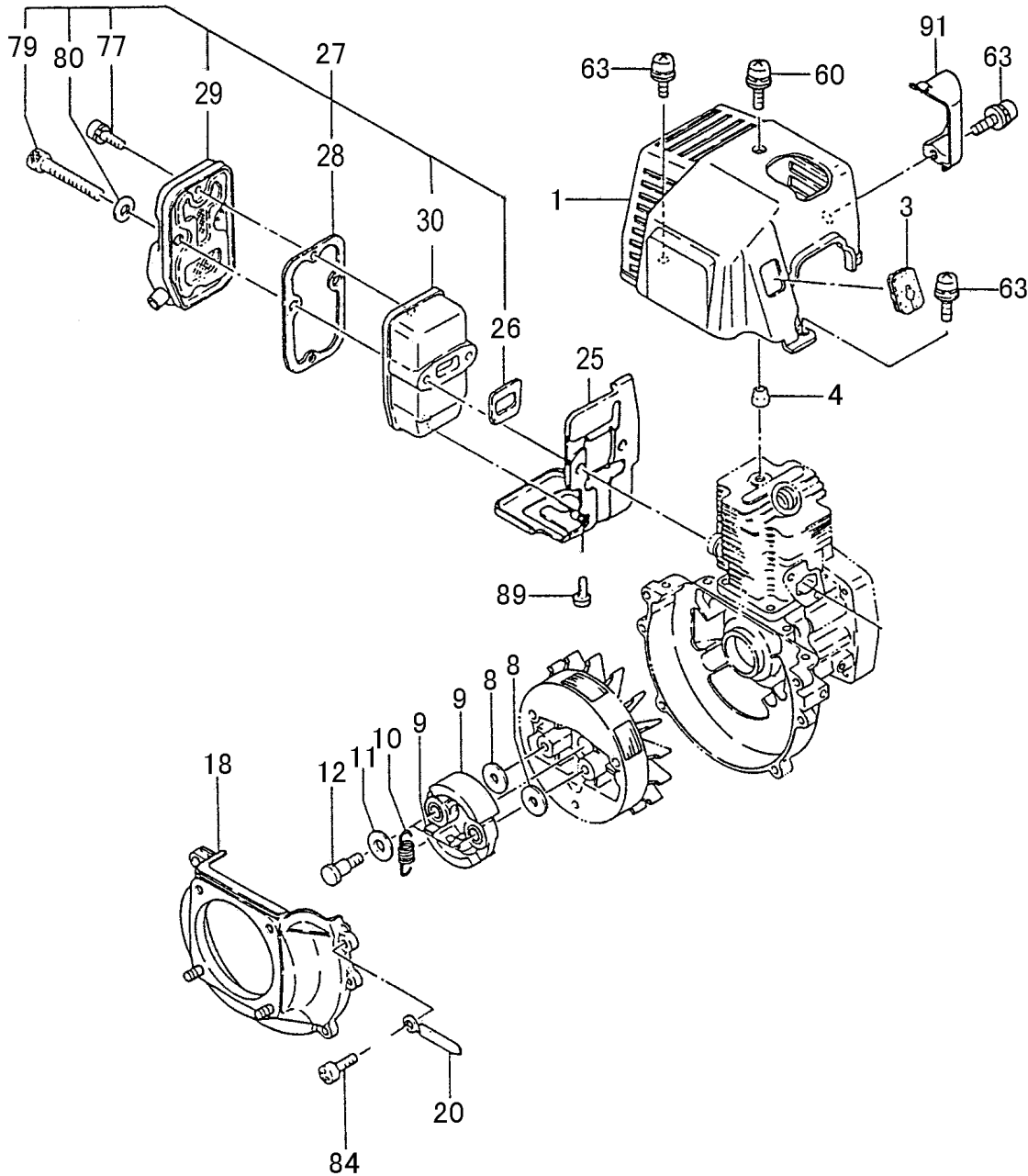


CRANKCASE, FLYWHEEL, IGNITION • FIGURE 2

ITEM	PART NUMBER	DESCRIPTION	QTY	COMMENTS
2-12	07102007200	SHIM,15.2X20X.05	V	
2-12	07102007210	SHIM,15.2X20X.10	V	
2-12	07102007220	SHIM,15.2X20X.15	V	
2-12	07111600230	SHIM,16X21X.20	V	
2-12	07111600240	SHIM,16X21X.30	V	
2-13	99961600200	BEARING,BALL,#6002	1	
2-14	99961600115	BEARING,BALL,6001 C3	1	
2-15	99966152564	SEAL,OIL,UD15257	1	
2-16	99966122240	SEAL,OIL,#12227	1	
2-17	0900060120	GASKET,CRANKCASE	1	
2-18	07201620900	CRANKCASE,ASS'Y	1	
2-19	35910112203	WASHER,CLUTCH B	1	
2-20	79801630200	PULLEY,STARTER	1	
2-21	1552172080	ROTOR,MAGNETO	1	
2-22	1650162V200	PLATE,COIL HOLDING	1	
2-23	1672054790	COIL,IGNITION	1	
2-24	90401620201	BRACKET,ADJUSTER	1	~S279070
2-25	89401401201	RECEIVER,OUTER	1	~S279070
2-32	99101080011	NUT,8	1	
2-34	99200080011	WASHER,8	1	
2-36	99101080011	NUT,8	1	
2-41	99101060013	NUT,6	1	~S279070
2-42	99414050301	SCREW,5X30/S	4	
2-44	99414050161	SCREW,5X16/S	2	
2-46	99416040186	SCREW,4X18/WS	2	
2-51	99414050121	SCREW,S,5X12	1	~S279070
2-53,1	1780136M800	CORD,STOP	1	~V028010
2-53	1780160080	CORD	1	V028011~
2-55	56020517200	CAP,RUBBER	1	V028011~
2-56	1782054420	LEAD,HIGH TENSION	1	V028011~

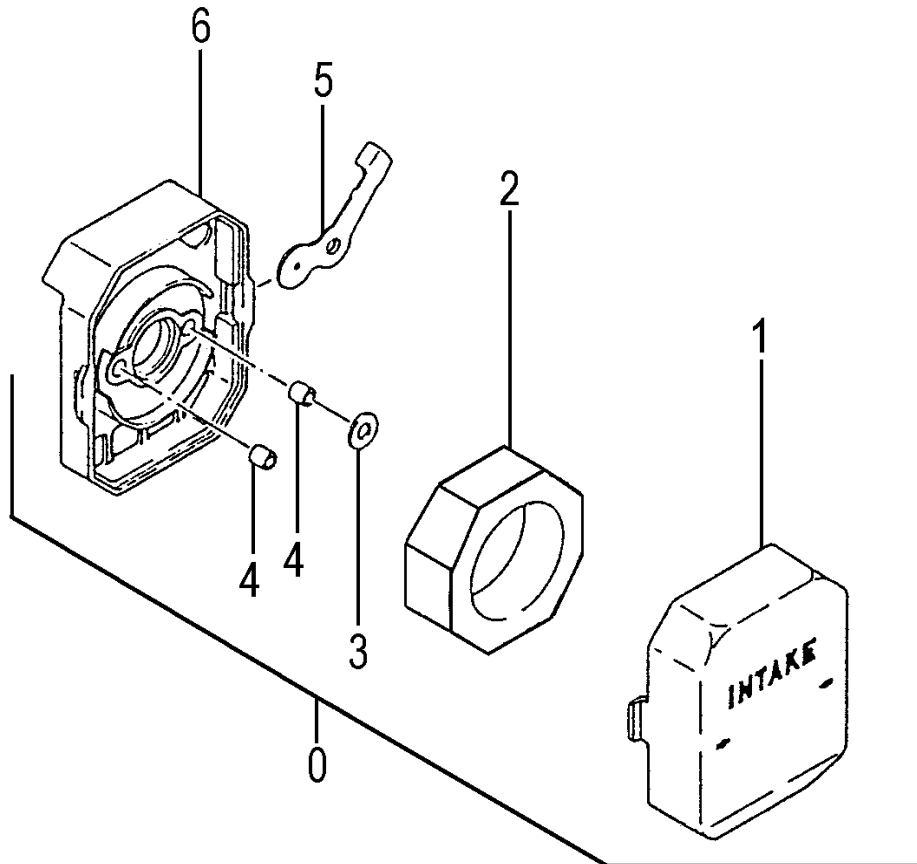


ITEM	PART NUMBER	DESCRIPTION	QTY	COMMENTS
3-5	65301620200	BRACKET,TANK	1	
3-7	65506100200	CUSHION,TANK	4	
3-33-1	40301620201	GASKET,INLET MANIFOLD	1	~S279070
3-33	4030160020	GASKET,INLET MANIFOLD	1	S279071~
3-34-1	4040162022	INSULATOR,CARBURETOR	1	~S279070
3-34	40401600900	SET,INSULATOR	1	From S279071 to Z315900
3-34	4040160091	SET,INSULATOR	1	Z315901~
3-35-1	4020060120	GASKET,CARBURETOR	1	~S279070
3-35	4020602K21	GASKET,CARBURETOR	1	S279071~
3-36-1	45525023900	CARBURETOR,ASS'Y	1	~S279070
3-36	4550160090	CARBURETOR SET	1	From S279071 to Z315900
3-36	4550160290	CARBURETOR,ASS'Y	1	Z227501~ (units with primer)
3-37	2230162V900	PIPE,FUEL,ASS'Y	1	~S279070
3-37	2230650090	PIPE,FUEL,ASS'Y	1	S279071~
3-40	6750608A900	FILTER,FUEL	1	
3-41	68000731201	CLIP 6.3	1	
3-42	5950650A90	CAP,TANK	1	~T253552
3-42	5950656B90	CAP,FUEL BLACK,NON VENT	1	From T253553 to Z315900
3-42	5950300290	CAP,TANK (BLACK/RED)	1	Z315901~
3-53	5910162T220	TANK,FUEL	1	~T253552
3-53	5910160020	TANK,FUEL	1	From T253553 to Z315900
3-53-1	5910162080	TANK,FUEL	1	Z227501~ (units with primer)
3-57	99415040182	SCREW,PS,4X18	2	
3-74	99416050601	SCREW,5x60WS	2	~R007764
3-74	99416050651	SCREW,5X65/WS	2	~S279070
3-74	99416050601	SCREW,5x60WS	2	S279071~
3-76	99178050010	NUT,LOCK 5	2	~S279070
3-78	7000300507	PIPE,FUEL,3X5X75	1	
3-79	5343271020	GROMMET,FUEL PIPE	1	
3-81	99415040142	SCREW,4X14/PS	2	
3-86	99416050221	SCREW,5X22/WS	2	~S279070
3-86	99416050241	SCREW 5x24WS	2	S279071~
3-121	5640661190	VENT,AIR ASS'Y	1	From T253553 to Z315900
3-122	5650441020	PIPE,AIR VENT	1	From T253553 to Z315900
3-123	6460661290	VALVE	1	From T253553 to Z315900
3-124	68000206200	CLIP,5.5	1	From T253553 to Z315900
3-125	5610007020	COVER,AIR VENT	1	From T253553 to Z315900

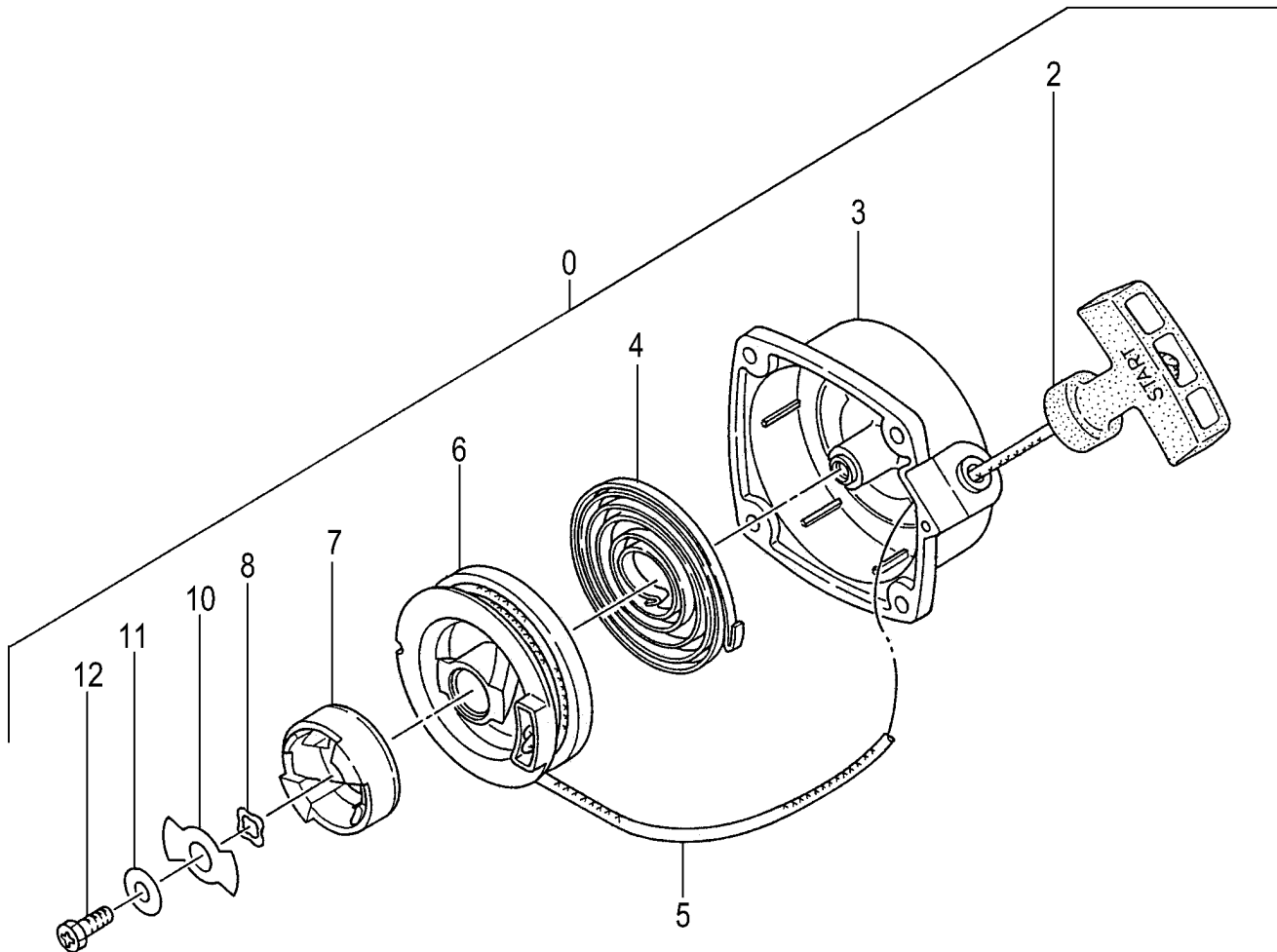


MUFFLER, FAN CASE, CLUTCH • FIGURE 4

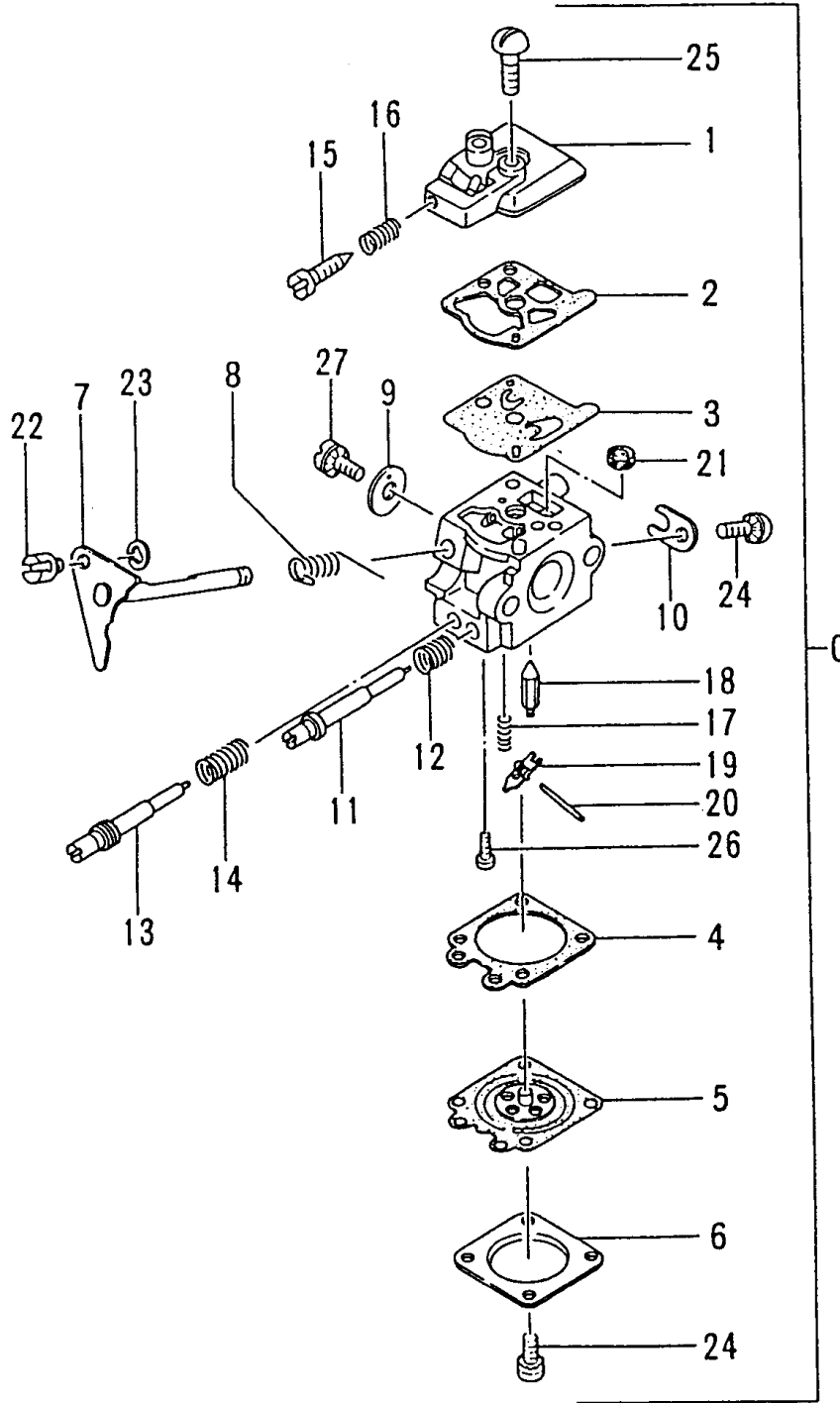
ITEM	PART NUMBER	DESCRIPTION	QTY	COMMENTS
4-1	7380162021	PROTECTOR,MUFFLER	1	
4-3	2030630B201	GROMMET,CORD,PRIMARY	1	
4-4	0110630B200	COLLAR	1	~S279070
4-8	35902103200	WASHER,CLUTCH,B	2	
4-9	29001620800	SHOE,CLUTCH	2	
4-10	3420630B200	SPRING,CLUTCH	1	
4-11	35802103200	WASHER,CLUTCH A	2	
4-12	3570075T200	BOLT,STEP	2	
4-18	1120162S801	CASE,FAN	1	
4-20	19805015800	CLAMP,CORD	1	~S279070
4-25	13301620220	SHIELD,HEAT	1	
4-26	73701620200	GASKET,MUFFLER	1	
4-27	7040162T90	SET,MUFFLER	1	
4-28	73901620210	GASKET,MUFFLER COUPLING	1	
4-29	7170162T800	BODY,MUFFLER,B	1	
4-30	71601620210	BODY,MUFFLER,A	1	
4-60	99415050182	SCREW,5X18/PS	1	~S279070
4-63	99415050122	SCREW,5X12/PS	3	
4-77	99413040122	SCREW,4X12/P	2	
4-79	99051050453	BOLT,HEX,5X45	2	
4-80	99201050061	WASHER,5	2	
4-84	99414050161	SCREW,5X16/S	4	
4-89	99413050101	SCREW,5X10/P	1	
4-91	13201620200	DEFLECTOR,AIR	1	



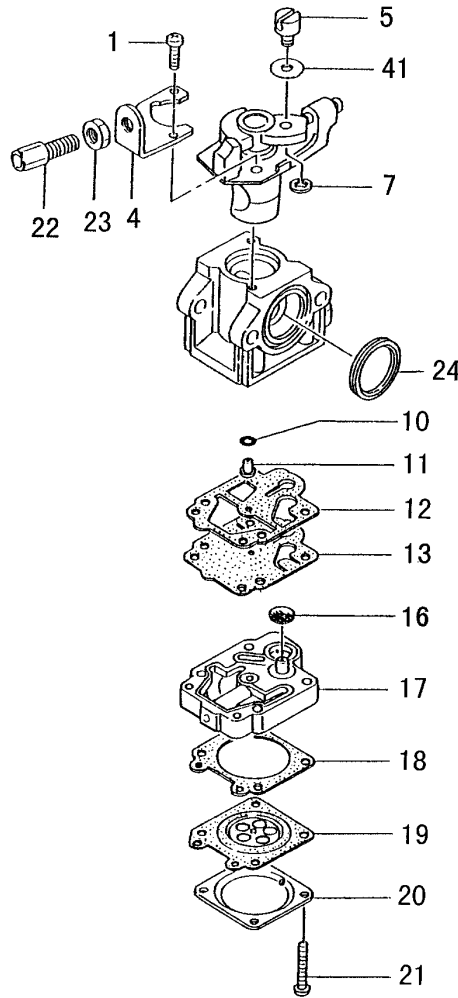
ITEM	PART NUMBER	DESCRIPTION	QTY	COMMENTS
5-0	4100650D90	AIR CLEANER ASSY	1	
5-1	4240602K201	CAP,CLEANER	1	
5-2	4460602K200	ELEMENT,CLEANER	1	
5-3	4530602K200	COLLAR	1	
5-4	4700602K200	COLLAR	2	~R019508
5-4	47000025200	COLLAR	2	R019509~
5-5	5280602D200	PLATE,CHOKE	1	~R019508
5-5	5280072Z20	PLATE,CHOKE	1	~S279070
5-5	5280635A200	PLATE,CHOKE	1	S279071~
5-6	4230072Z81	BODY,CLEANER	1	



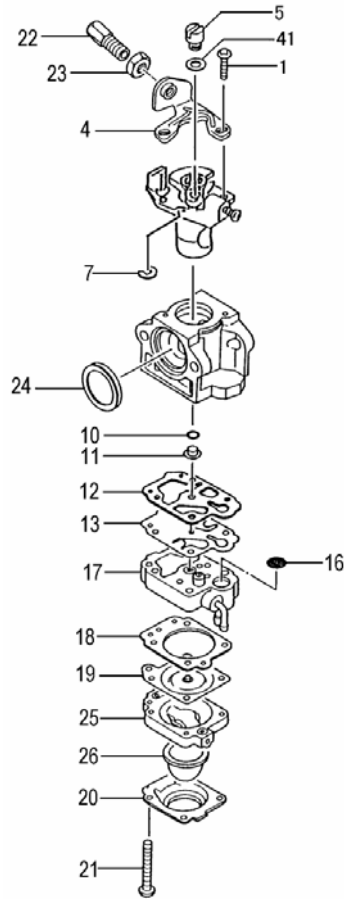
ITEM	PART NUMBER	DESCRIPTION	QTY	COMMENTS
6-0	7620094090	STARTER,RECOIL ASS'Y	1	
6-2	78500940200	HANDLE,STARTER	1	
6-3	77200940801	BODY,STARTER	1	
6-4	78000940200	SPRING,RECOIL	1	
6-5	78300940200	ROPE,STARTER	1	
6-6	77400940200	REEL,STARTER ROPE	1	~V202950
6-6	7740163021	PULLEY,STARTER	1	V202951~
6-7	7880163021	PAWL,STARTER	1	
6-8	80105015200	WASHER,STARTER PULLEY	1	
6-10	8370501521	PLATE,FRICTION	1	
6-11	82205015200	SHIM,PULLEY	1	~V202950
6-11	8220423020	SHIM,STARTER PULLEY	1	V202951~
6-12	8390423020	BOLT,SET	1	



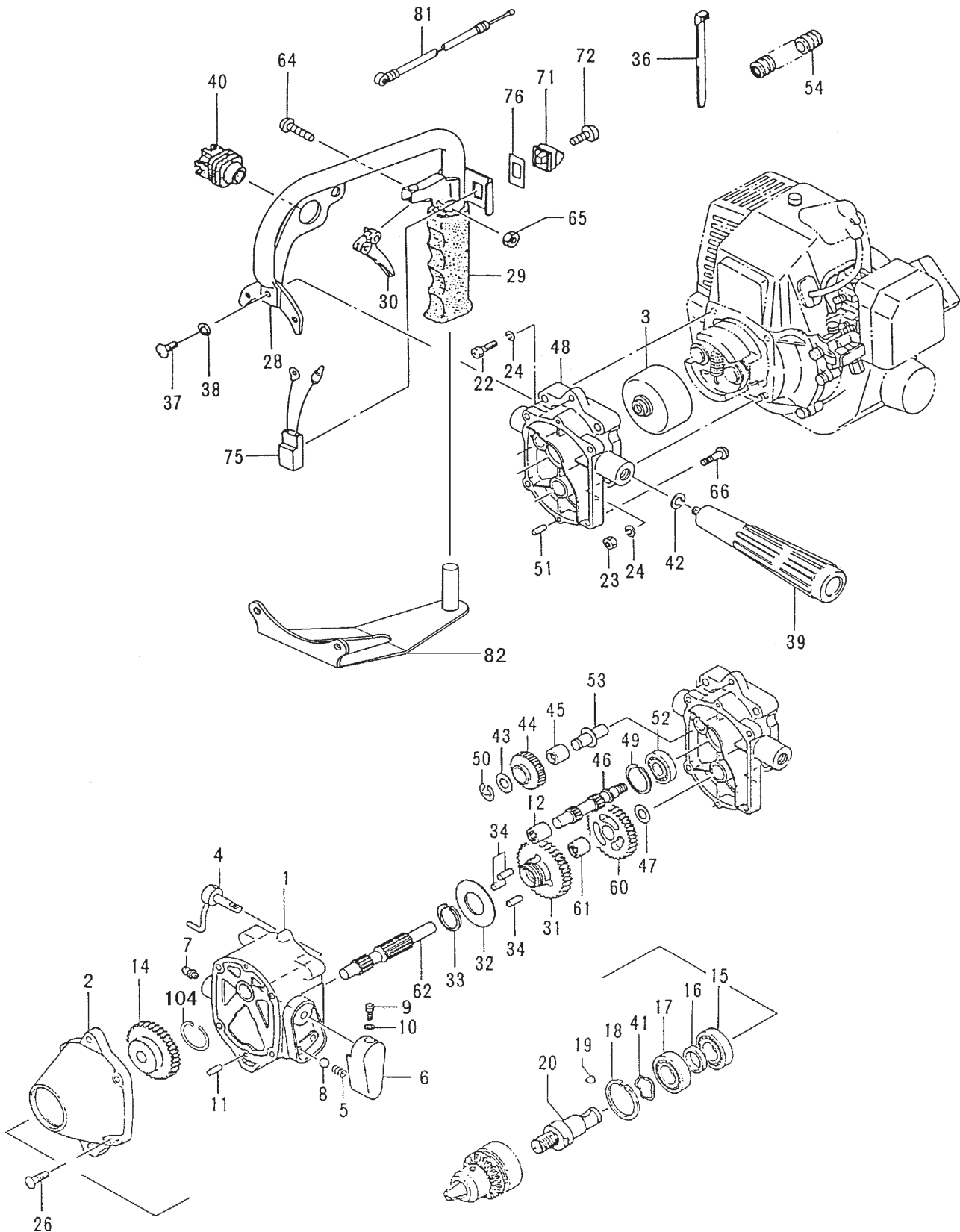
ITEM	PART NUMBER	DESCRIPTION	QTY	COMMENTS
7-0	45525023900	CARBURETOR,ASS'Y	1	~S279070
7-1	57525028200	BODY,PUMP	1	
7-2	~ ~ ~	GASKET,PUMP	1	~ Contained in Car Repair Kit
7-3	~ ~ ~	DIAPHRAGM,PUMP	1	P/N 650-25001-910
7-4	~ ~ ~	GASKET,DIAPHRAGM	1	(not available individually)
7-5	~ ~ ~	DIAPHRAGM,METERING	1	
7-6	47625004200	COVER,DIAPHRAGM	1	
7-7	46425010800	SHAFT,THROTTLE	1	
7-8	48625009200	SPRING,THROTTLE	1	
7-9	48825008200	VALVE,THROTTLE	1	
7-10	55725006200	CLIP,THROTTLE SHAFT	1	
7-11	46025023200	SCREW,HIGH ADJUST	1	
7-12	48525003200	SPRING,ADJUST,HIGH	1	
7-13	46125023200	SCREW,LOW ADJUST	1	
7-14	62325001200	SPRING,ADJUST,LOW	1	
7-15	46225006200	SCREW,IDLE ADJUST	1	
7-16	46325006200	SPRING,IDLE ADJUST	1	
7-17	47725007200	SPRING,VALVE	1	
7-18	60325001200	VALVE,NEEDLE	1	
7-19	47325001200	HINGE,VALVE	1	
7-20	60525001200	PIN,HINGE	1	
7-21	57825007200	SCREEN,INLET	1	
7-22	53925008200	SWIVEL	1	
7-23	48925008200	RING,STOP	1	
7-24	54825012200	SCREW,SET	5	
7-25	51425001200	SCREW,SET	1	
7-26	54625001200	SCREW,SET,HINGE PIN	1	
7-27	46725003200	SCREW,SHUTTER	1	



ITEM	PART NUMBER	DESCRIPTION	QTY	COMMENTS
8-0	4550160090	CARBURETOR,ASS'Y	1	S279071 to Z227500
8-1	51425001200	SCREW SET	2	
8-4	54425164200	STAY,ADJUST,CABLE	1	~ Contained in Car Repair Kit
8-5	53925120200	SWIVEL	1	P/N 650-25124-90
8-7	48925100200	RING,STOP	1	(not available individually)
8-10	55025100200	O-RING	1	
8-11	599200AW37	JET,MAIN #37.5	1	
8-12	~ ~ ~	GASKET,PUMP	1	
8-13	~ ~ ~	DIAPHRAGM,PUMP	1	
8-16	57825007200	SCREEN,INLET	1	
8-17	5752515280	BODY,PUMP	1	
8-18	~ ~ ~	GASKET,DIAPHRAGM	1	
8-19	~ ~ ~	DIAPHRAGM,METERING	1	
8-20	47625004200	COVER,DIAPHRAGM	1	
8-21	54825101200	SCREW,SET	4	
8-22	61425137200	ADJUSTER,SCREW	1	
8-23	99101060013	NUT,6	1	
8-24	4310634C200	GASKET,CLEANER	1	
8-41	5492516520	WASHER,THRUST	1	

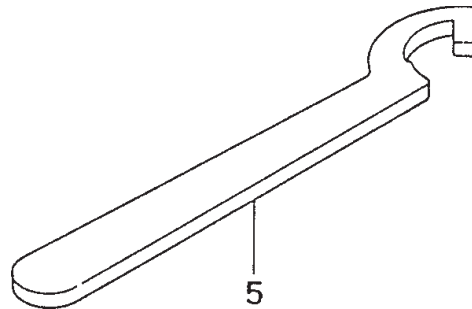
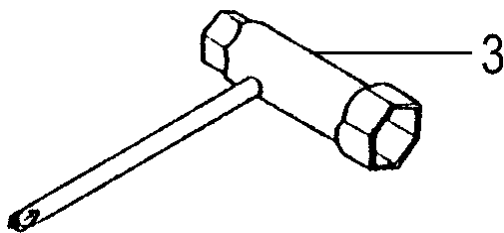
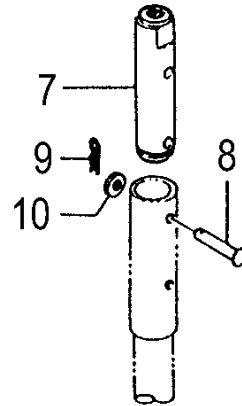
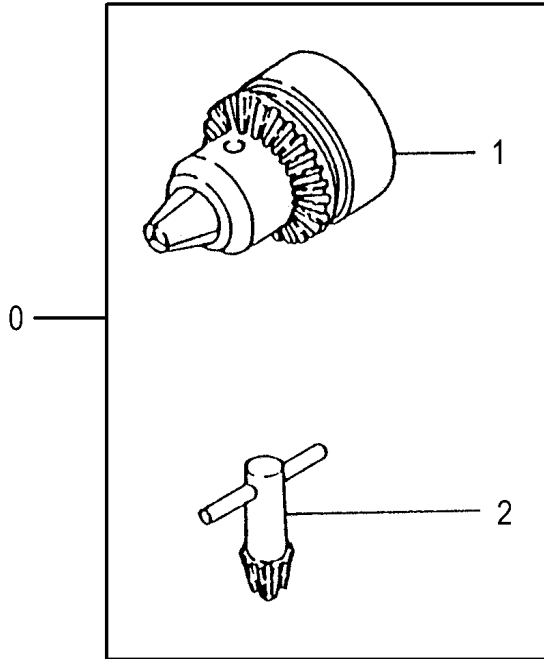


ITEM	PART NUMBER	DESCRIPTION	QTY	COMMENTS
9-0	4550160290	CARBURETOR,ASS'Y	1	Z227501~ (units with primer)
9-1	51425001200	SCREW SET	2	
9-4	54425164200	STAY,ADJUST,CABLE	1	
9-5	53925120200	SWIVEL	1	
9-7	48925100200	RING,STOP	1	
9-10	55025100200	O-RING	1	
9-11	599200AW370	JET,MAIN #37	1	
9-12	~ ~ ~	GASKET,PUMP	1	~ Included in Carburetor Kit
9-13	~ ~ ~	DIAPHRAGM,PUMP	1	#650-25124-900
9-16	57825007200	SCREEN,INLET	1	Inlet screen is included in Carb Kit
9-17	5752515380	BODY,PUMP	1	
9-18	~ ~ ~	GASKET,DIAPHRAGM	1	
9-19	~ ~ ~	DIAPHRAGM,METERING	1	
9-20	4762515120	COVER,DIAPHRAGM	1	
9-21	54825151200	SCREW,SET	4	
9-22	61425137200	ADJUSTER,SCREW	1	
9-23	99101060013	NUT,6	1	
9-24	4310634C200	GASKET,CLEANER	1	
9-25	4422515180	PUMP,PRIMING	1	
9-26	44725108200	BULB,PRIMING	1	
9-41	5492516520	WASHER,THRUST	1	

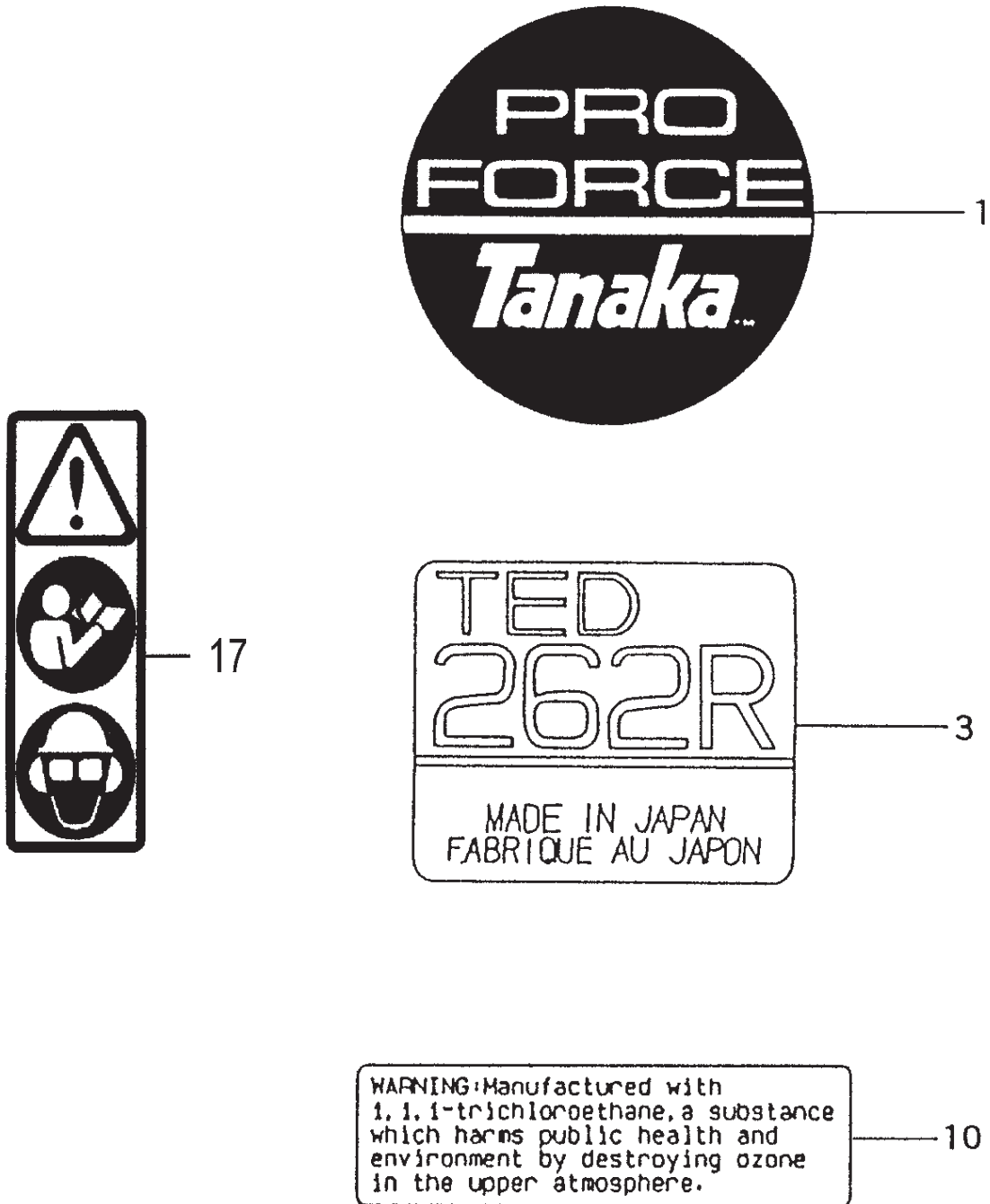


ITEM	PART NUMBER	DESCRIPTION	QTY	COMMENTS
10-1	0023214120	CASE,GEAR,A	1	
10-2	0063210A80	CASE,GEAR,B	1	
10-3	2263214180	HOUSING,CLUTCH	1	
10-4	0893214180	FORK,SHIFT	1	
10-5	1063214120	SPRING,SHIFT GUIDE	1	
10-6	1083214120	LEVER,SHIFT	1	
10-7	30032250801	FITTING,GREASE	1	
10-8	6733560020	BALL,STEEL	1	
10-9	99051040083	BOLT,HEX.HOLE 4X8	1	
10-10	99201040011	WASHER,4	1	
10-11	99905041201	PIN,KNOCK,4X12	2	
10-12	99962091211	BEARING,NEEDLE,TLA912	1	
10-14	0183218220	GEAR,#4	1	
10-15	99961720221	BEARING,BALL,#7202B	1	
10-16	04032120201	WASHER,BEARING	1	
10-17	99961620202	BEARING,BALL,#6202Z	1	
10-18	99351035002	RING,IN,C-35,STOP	1	
10-19	06801006200	KEY,WOODRUFF,3X13X5	1	
10-20	0223218320	SHAFT,GEAR	1	
10-22	99023060301	BOLT,P,6X30	2	
10-23	99101060011	NUT,6	2	
10-24	99210060012	WASHER,S,6	4	
10-26	99414050181	SCREW,5X18	4	
10-28	2583210A82	HANDLE,A	1	
10-29	1653313020	HANDLE,GRIP,A	1	
10-30	10132120201	LEVER,THROTTLE	1	
10-31	0603214120	GEAR,FORWARD	1	
10-32	1403214120	WASHER,THRUST,2.0	1	
10-33	99357200002	RING,STOP,20	1	
10-34	99905061200	BEARING,NEEDLE,6X12	3	
10-36	19833130200	CLAMP,CORD	2	
10-37	99023060161	BOLT,6X16 PLUS	1	
10-38	99210060012	WASHER,S,6	1	
10-39	25932120810	HANDLE,B	1	
10-40	1553210A200	HOLDER,CHUCK KEY	1	
10-41	99209350030	WASHER,WAVE,B.B,35	1	
10-42	99210100012	WASHER,S,10	1	
10-43	1413214120	WASHER,THRUST,0.8	1	
10-44	0593214120	GEAR,NEUTRAL	1	
10-45	99962091211	BEARING,NEEDLE,TLA912	1	
10-46	0623214120	SHAFT,SHIFT	1	
10-47	1413214120	WASHER,THRUST,0.8	1	
10-48	1503214180	CASE,CLUTCH	1	
10-49	99351024002	RING,STOP,C-24,IN	1	
10-50	99355080001	RING,STOP,E-8	1	
10-51	99905041201	PIN,KNOCK,4X12	2	
10-52	99961609002	BEARING,BALL,#609Z	1	
10-53	0583214120	SHAFT,NEUTRAL	1	

ITEM	PART NUMBER	DESCRIPTION	QTY	COMMENTS
10-54	1641003200	TUBE,PROTECTION,10X320	1	
10-60	0613214120	GEAR,REVERSE	1	
10-61	99962091211	BEARING,NEEDLE,TLA912	1	
10-62	0633214120	SHAFT	1	
10-64	99011050251	SCREW,5X25	1	
10-65	99101050011	NUT,5	1	
10-66	99414050181	SCREW,5X18/S	4	
10-71	2581165020	BUTTON,STOP	1	
10-72	99011030101	SCREW,3X10	1	
10-75	1703217580	SWITCH,STOP	1	~S279070
10-75	1703219080	SWITCH,STOP	1	S279071~
10-76	9253317620	DECAL,STOP BUTTON	1	
10-81	8850163V80	WIRE,THROTTLE	1	~S279070
10-81	8850160180	WIRE,THROTTLE	1	S279071~
10-82	2653218280	HANDLE,BRACE	1	R218421~
10-104	99350013002	STOP RING OUTER C-13	1	



ITEM	PART NUMBER	DESCRIPTION	QTY	COMMENTS
11-0	05932120911	CHUCK & KEY 1/2"	1	
11-1	06032120911	CHUCK, 1/2"	1	
11-2	06132120811	CHUCK KEY 1/2"	1	
11-3	8292000080	SPANNER, COMBI, 13X19	1	
11-5	84520000200	SPECIAL WRENCH	1	
11-7	29728	ADAPTER, DRILL TO AUGER	1	
11-8	EBF-PIN	PIN, 8X60mm	2	
11-9	ASP-100	PIN, SNAP, EBF/IBH	2	
11-10	99201080011	WASHER, 8	2	



ITEM	PART NUMBER	DESCRIPTION	QTY	COMMENTS
12-1	95037900200	DECAL,PRO-FORCE A	1	
12-3	9060163Y20	DECAL,NAME PLATE	1	
12-10	9200650A20	DECAL,WARNING	1	
12-17	9203246620	CAUTION MARK	1	